



**FLO-1**

# CONTENTS

Company Profile

1

Reasons for choosing  
FLO-TEK Water Tanks

2

Vertical &  
Horizontal Tanks

3

Loft & Septic Tanks

4

Tank Installation  
Information

5

Cattle Products

9

Drums & Dustbins

10

Rotomoulded Products

11

# COMPANY PROFILE

FLO-TEK is one of the leading manufacturers of unplasticised Polyvinyl Chloride (PVC) pipes, High Density Polyethylene (HDPE) pipes and Rotomoulded products in Southern Africa.

## History

---

Radical Investments (Pty) Ltd, trading as FLO-TEK PIPES & IRRIGATION was established in Botswana in 1998 manufacturing PVC pipes.

In July 2003 and June 2004, FLO-TEK started manufacturing rotational moulded products and HDPE pipes respectively.

FLO-TEK was established in South Africa in 2005. A HDPE pipe factory was started in Clayville in August 2007. FLO-TEK South Africa has since opened a branch in Cape Town and a subsidiary company in Dundee.

FLO-TEK has an established company in Angola.

## Core Business and Service Proposition

---

FLO-TEK's core business is the manufacturing and distribution of HDPE and PVC-U and PVC-M Pressure and Sewer pipes and Rotomoulded products.

Our ISO 9001:2008 certificated factories in Johannesburg and Botswana enable us to manufacture our pipes and tanks as well as distribute to South Africa, Botswana and other SADC countries. Our factories have fully equipped laboratories which ensure FLO-TEK manufactures to SANS, ISO and SAPPMA specifications.

Within our South African and Botswana operations, we have experienced staff who bring a wealth of knowledge and experience. FLO-TEK ensures the best quality product and the highest delivery standards.

## Broad-Based Black Economic Empowerment

---

FLO-TEK is a BEE compliant company.

The principles of broad-based BEE, through stakeholder empowerment, have also been integrated into how we do business, and how we can assist and support our Clients in how they do their business. The empowerment of women and the development of skills at lower levels of the organization to facilitate career and personal growth opportunities are the particular areas that will continue to receive attention and focus within our own business.

To date, FLO-TEK has successfully qualified for numerous government, parastatal and NGO projects and tenders on grounds of its present BEE status.

Progress towards a progressive but realistic strategic economic empowerment target, both directly and indirectly, is being made on a broad front. Leadership of the overall transformation programme rests with the management and the stakeholders oversee the application of the Transformation and broad-based BEE Strategies within and without the organization.



# REASONS FOR CHOOSING FLO-TEK WATER STORAGE TANKS

- The tanks are an ideal substitute for MS and RCC tanks.
- Unique properties: the tanks are made of polyethylene and are ideal for the storage of water being corrosion resistant, algae resistant and having high impact strength.
- The tanks are moulded without seams or joints, thus making them leak proof.
- The computerised ribbed design allows for greater strength.
- The tanks are moulded from FDA approved food grade polyethylene, using the latest rotational moulding technology.
- The tanks have a built-in 'UV Stabiliser' to offset the ultra-violet ray effect of the sun.
- Excellent environment stress crack resistance (ESCR).
- Airtight screwable lids keep water fresh and dirt and other unwanted elements out.
- All tanks are 100% hygienic, odourless, maintenance free and versatile.
- The tanks are aesthetically pleasing.
- Lightweight, easy to handle, breather, supporting holes are provided and thus reduce dead load weight on the structure.
- The tanks are extremely easy to install. All the tanks are provided with tank connectors.
- The tank series are self-supporting and should be rested on any flat rigid surface giving full bearing to the bottom of the tank.
- A number of tanks can be connected together and can be easily installed on staging to meet bulk water storage requirement.
- Tanks are readily available, saving construction time and eliminating delays.
- Capacity tested and guaranteed
- All tanks are movable.
- Versatile and can be used for overhead, ground and indoor storage applications.
- The tanks are made from 100% virgin polymer.

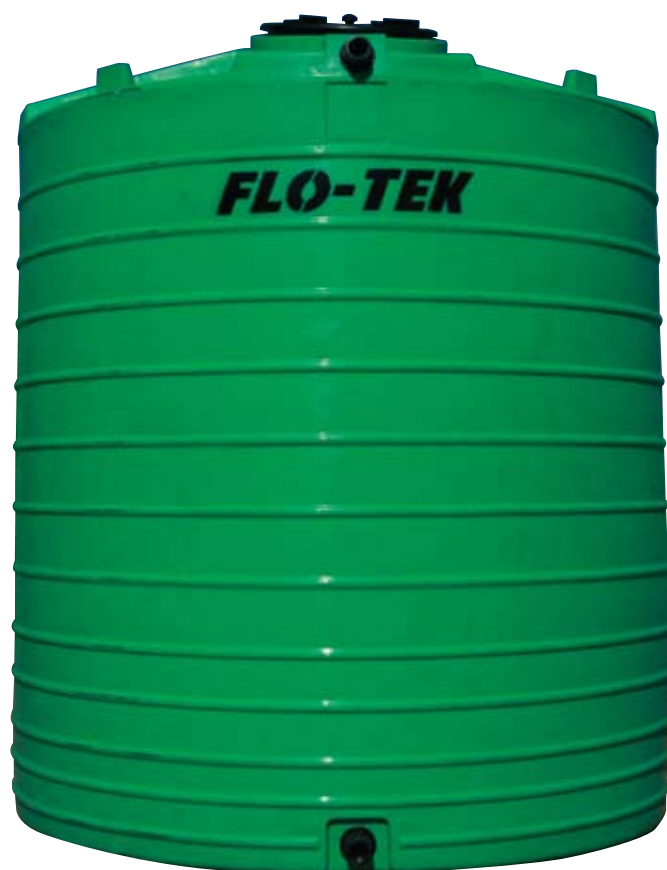


# VERTICAL AND HORIZONTAL TANKS

## Vertical Water Tanks

- Food grade resin used
- Flexibility with any ground – they will not crack
- Available in capacities from 500L to 15000L
- The tanks are made in two layers – the inside colour is black and the outside is a UV stabilized green
- The standard colour is green, but special colours are available on request.
- Each Tank is supplied with 2" tank connectors, lids, overflow and a breather
- These tanks are also available for chemicals and fertilizer.
- No water tainting

SIZE IN LITRE	DIAMETER	HEIGHT
500 LT	890mm	920mm
1000 LT	1150mm	1140mm
2000 LT	1500mm	1390mm
2500 LT	1480mm	1580mm
5000 LT	1850mm	2110mm
10000 LT	2345mm	2710mm
14500 LT	2345mm	3700mm



## Horizontal Water Tanks

- The inner layer is black in colour, to prevent algae growth
- They are ideal for transporting water
- The standard colour is green, but special colours are available on request
- Available in capacities from 250L to 5000L
- Each tank is supplied with 2" tank connectors, lids and a breather.
- These tanks are also available for chemicals and fertilizer

SIZE IN LITRE	LENGTH	WIDTH	HEIGHT
500 LT	1320mm	760mm	800mm
1000 LT	1750mm	920mm	950mm
2000 LT	1980mm	1250mm	1410mm
2500 LT	2060mm	1400mm	1400mm
5000 LT	2340mm	1890mm	1940mm



# LOFT AND SEPTIC TANKS

## Loft Tanks

- The standard colours are green and white, but special colours are available on request.
- Available capacities: 300L and 500L.
- Every loft tank is supplied with a lid.

SIZE IN LITRE	LENGTH	WIDTH	HEIGHT
300 LT	910mm	910mm	400mm
500 LT	1520mm	1020mm	330mm



## Vertical Septic Tanks

- Septic tanks are used where anaerobic/aerobic bacterial activities occur.
- UV stabilized for longer outdoor use.
- Upgradeable, in-house on-site sanitation systems.
- FLO-TEK provide a healthy living environment in areas where conventional sewer reticulation is not immediately available.
- Soak-away trench, solids-free system, an artificially constructed wetland treatment system.
- Oxidation ponds. Nearby trunk sewer.
- Conventional sewerage treatment works.
- The low flush unit can be economically upgraded to a full flush unit.
- Our standard colour is brown and black.
- Available capacities: 1000Lt, 1500Lt, 3000Lt and 6000Lt.
- Very easy to install and maintain.
- Inner pipe separates solids from the brown water.
- Installation infrastructure available on every septic tank.
- Every tank is supplied with 110 mm inlet and 50 mm outlet.



SIZE IN LITRE
500 LT
1500 LT
3000 LT
6000 LT

## Horizontal Septic Tanks

- Operating on Single Chamber
- Polyethylene Products
- Uv Stabilizer Material
- Easy to handle and install
- Chemical Resistant
- Available Capacities 1000L, 2000L, 2500L



# TANK INSTALLATION INFORMATION

## Installation instructions for Vertical and Horizontal water tanks

---

- Lay a concrete pad/slab.
- The supporting base must be smooth and leveled.
- The reinforced concrete pad must be leveled and greater than the diameter of the tank.

## Tank Stand

---

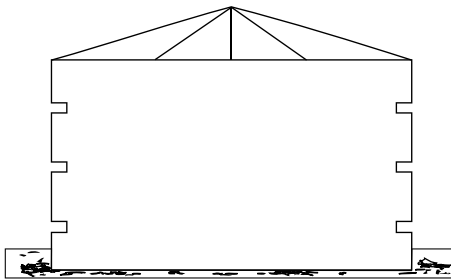
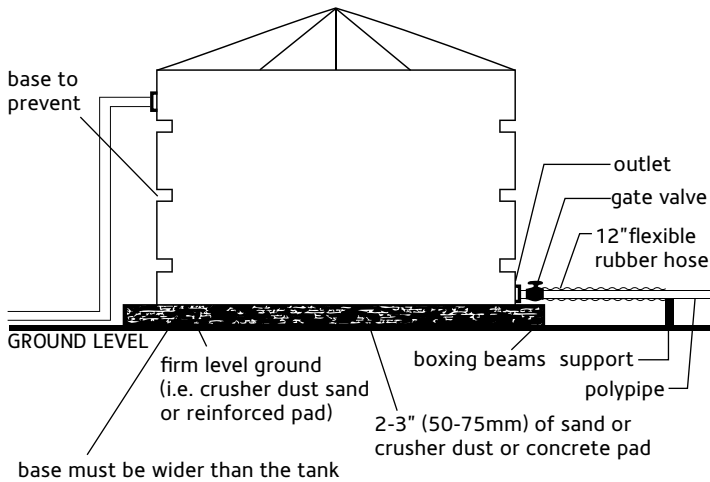
- The tank stand must be large enough to support the entire base of the tank.
- The stand must be strong enough to carry the full load of the tank.
- The supporting base must be smooth and level.
- Supporting decking should have gaps not more than 50mm.
- Vertical tanks mounted on the tank stands must be tied down using the supporting holes moulded in for this purpose.
- The tie-downs should be tight enough to secure the tank when empty, but should not be over tightened to cause distortion of the tanks.
- Horizontal tanks, used for transport or mounted on stands should have adequate retention straps tensioned to restrain the tank, but not distort it.
- The supporting base must not have undersized base. The entire circumference of the tank must be supported.
- Tank over flow must be taken away from the tank to avoid undermining the tank base.
- Care must be taken when fitting the connectors.
- Pipe work for the tanks must be supported by a stand and not by the tank.
- If the pipe work is not supported, this may cause water leakage and damage to the tank.
- Unsupported pipe work puts excess strain on the fittings and the wall of the tank.





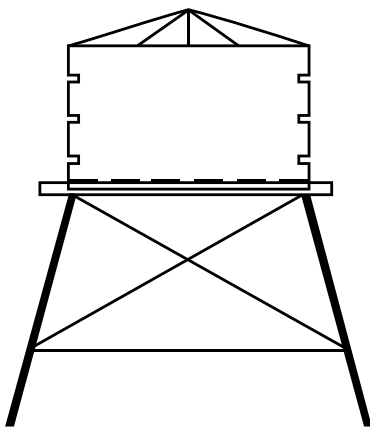
# TANK INSTALLATION INFORMATION

## Correct method for siting a tank above the ground



### Concrete Pad

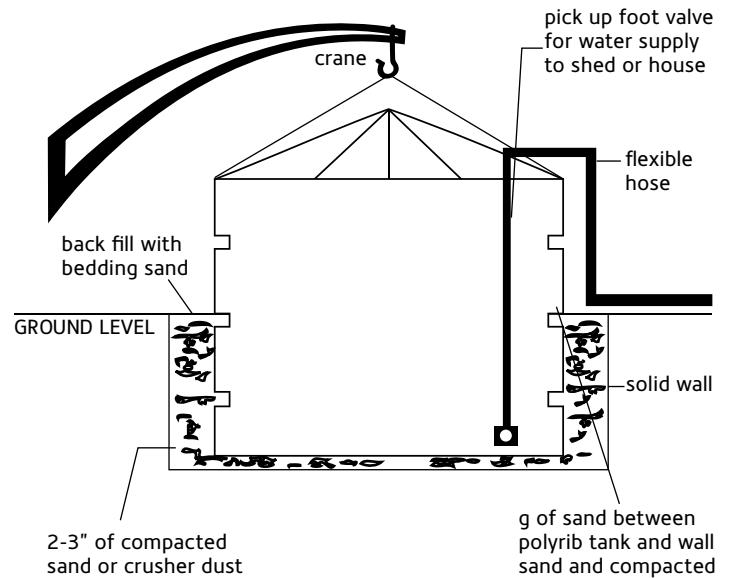
A reinforced concrete pad, that has been leveled and that is a greater diameter than that of the tank must be sited. The tank can be sited on an earth ring greater than diameter of the tank, so that no part of tank is bearing on the wall. The fill is to be consolidated with 2 – 3 inches (50 – 75mm) of sand on the top surface.



### Tank Stand

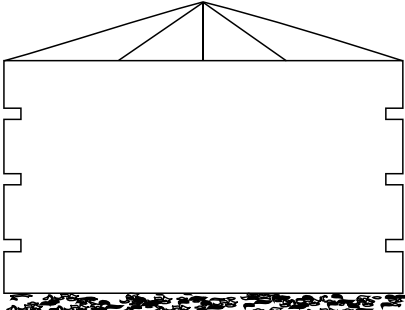
The tank stand should have hardwood decking, with gaps no greater than 2". The decking is to be supported structurally by bearers and strong enough to prevent sagging when the tank is full.

## Correct method for siting a tank half way in the ground

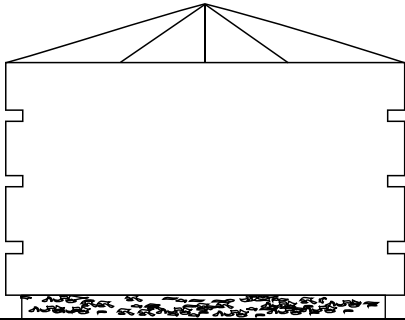


1. Prepare the hole. Ensure that the surrounding soil left in the walls of the hole is solid, leaving a 6 – 8 inch (15 – 20cm) gap to allow for positioning the tanks, and backfilling them with sand.
2. If there is a major water seepage into the hole from the surrounding soil, the site will not be suitable.
3. A base of 2 – 3 inches (5 – 7cm) of sand or crusher dust must be put in the hole and compacted.
4. The tank must then be lowered into the hole squarely using a crane.
5. The tank must then be filled with water above ground height, then back filled with bedding sand.
6. It is important that the tanks be buried into the ground to ONLY half of its wall height.
7. It is recommended that your outlet pick up from the tank, comes through the tank roof.
8. If there are 2 x 100mm inlets coming into the tank you will need the same capacity in overflows.
9. Overflow must be piped away from the tank.
10. If these points are not followed your 5 year guarantee will be null and void.

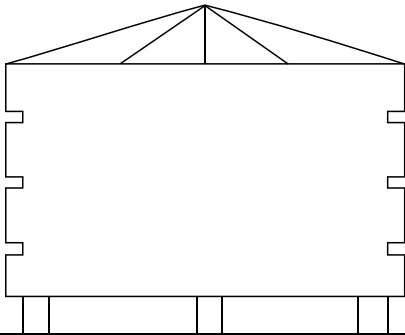
**Do not make these mistakes**



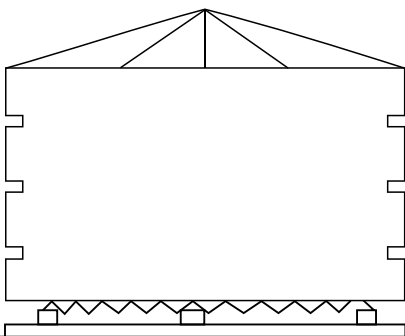
Rocky or uneven ground with little or no base preparation.



Must not have undersized base. Circumference of tank must be supported.



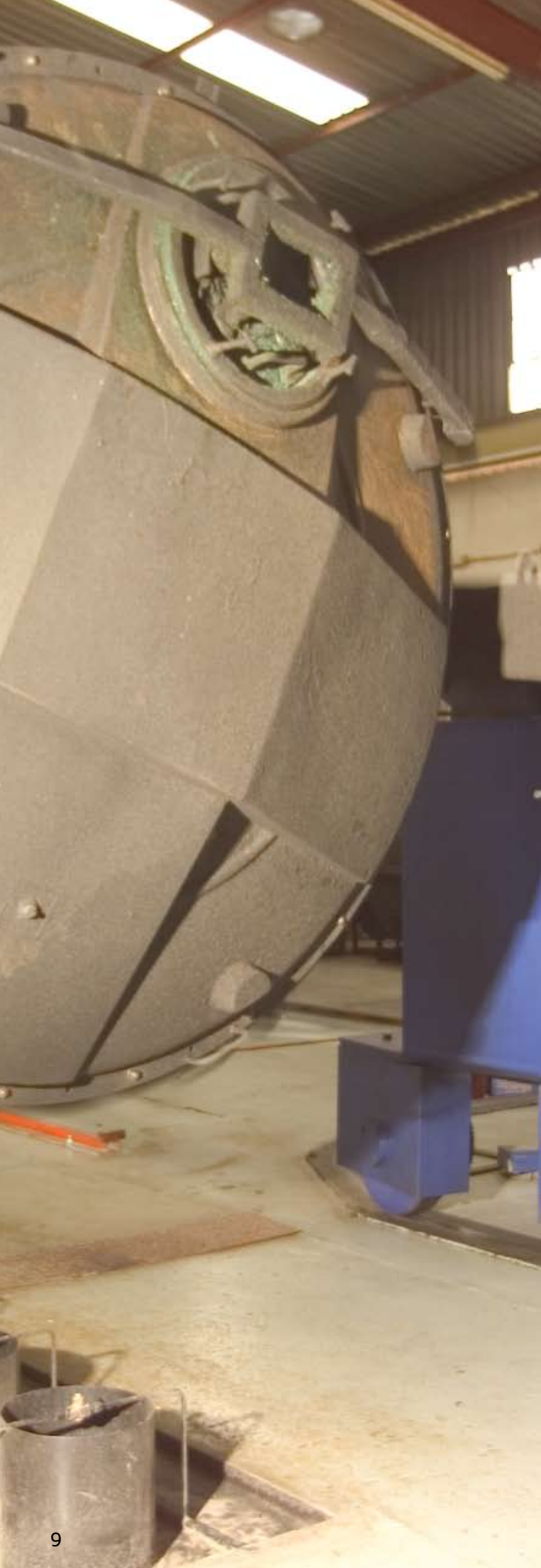
Wooden sleepers are generally too uneven and untrue to use for base.



Don't use corrugated iron decking as it must be supported by a hardwood decking with spacing of 2" underneath. It is better to remove the iron.







# CATTLE PRODUCTS

## Cattle Foot Rot Bath

- One piece stress free moulding.
- Large internal radius with no sharp edges or corners. No injuries to livestock.
- Specially designed floor to open cattle foot ensuring penetration of anti-footrot solution
- Frost resistance down to -40°C.
- Standard colours black and green



CATTLE PRODUCTS	LENGTH	WIDTH	HEIGHT
FOOT ROT BATH	2000mm	850mm	150mm

## Cattle Feed Trough

- Food grade material.
- Non-toxic.
- Large, internal radius, no sharp edges or corners, no injuries
- Suitable for sheep, goats, calves, cattle and horses
- Standard colours are green and black.



CATTLE PRODUCTS	LENGTH	WIDTH	HEIGHT
FEED TROUGH	2000mm	430mm	230mm

## Cattle Water Trough

- Tough and durable.
- Robust one piece stress free moulding.
- Available capacities: 250L, 450L and 500L.
- Standard colour is green.



CATTLE PRODUCTS	LENGTH	WIDTH	HEIGHT
WATER TROUGH	2140mm	640mm	530mm

# DRUMS AND DUSTBINS

## Household Drums

- Easy handling of salt and food grains.
- Our standard colours are green, blue, white and black.
- Every drum is supplied with the standard lids.

OPEN HEAD	DIAMETER	HEIGHT
100 LT	450mm	750mm
210 LT	590mm	1000mm

TIGHT HEAD	DIAMETER	HEIGHT
100 LT	450mm	750mm
210 LT	560mm	930mm

## Dustbins / Wheelbins

- Suitable for a large variety of uses in industries, hospitals, councils, etc.
- Our standard colours are green, black and blue.
- Keeping in mind the present environmental situation, these bins can be recycled.



# ROTOMOULDED PRODUCTS



## Stop Block

- For use in trucking & transport industries

## Plastic Bowl

- For household and agricultural use
- Available in 375ml



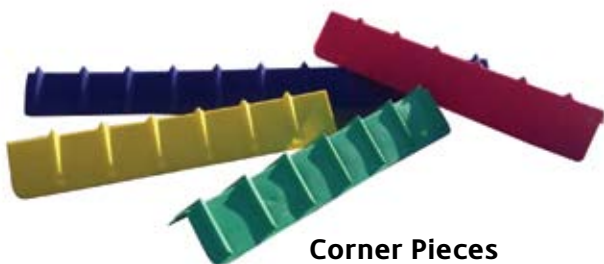
## Plastic Pots

- For use in household and agricultural use
- Available in 100L

## Traffic Cones

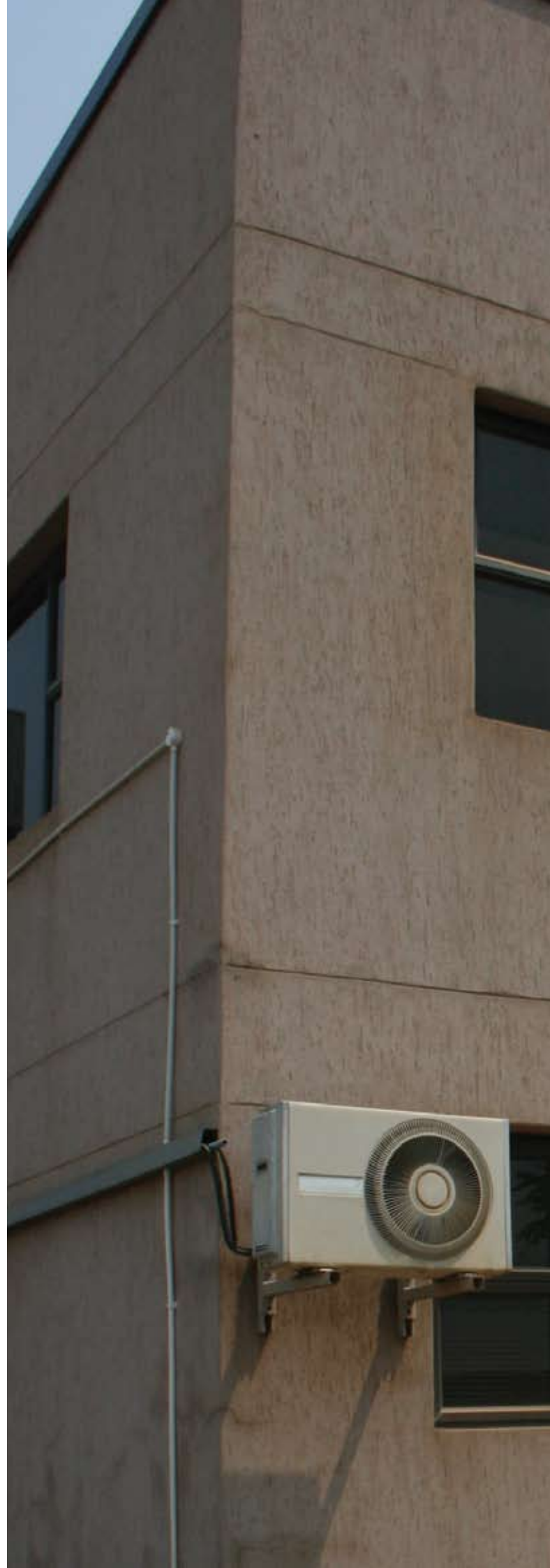
Available sizes:

- 450mm
- 700mm
- 1m



## Corner Pieces

- For use in transport industries
- Available in 1.2m and 2m
- Available in various colours



# FLO-TEK

PIPES & IRRIGATION

RECEPTION

## Sales Offices

No. 31 Keramiek Street, Clayville,  
Extension 14, Johannesburg, South Africa, 1665  
Tel. No.: +27 11 316 6891  
Fax No.: +27 11 316 6896

13, 8th Avenue, Kensington, Cape Town, 7405  
Tel. No.: +27 21 593 6040  
Fax No.: +27 21 593 1193

45 Gray Street, Dundee, 3000  
Tel. No.: +27 34 218 1236  
Fax No.: +27 34 218 1237

Plot 22112, Kgomokasitwa Road,  
Gaborone West Industrial, Botswana  
Tel. No.: +267 397 2001/3/4  
Fax No.: +267 397 2014

FLO-TEK Tubos e Irrigacoes KM/13,  
Estrada de Viana, Luanda, Angola  
Tel. No.: +244 2222 90662  
Fax No.: +244 2222 90880



**FLO-TEK**  
Manufacturers of pipes, tanks & fittings

This information in this brochure is correct to the best of our knowledge.  
It does not constitute any form of guarantee.  
Specifications are subject to alteration.  
Subject to change without notice.